



## DLD5500-L V2 55" TFT LCD, LED Backlight 2500nits, FHD(1920x1080)

The DLD5500-L is a 55 inch industrial grade sunlight readable LCD, with high brightness 2,500 nits and high color saturation, it produce sharp images, crisp text and lifelike colors. The Durapixel LED backlight technology ensures high reliability and low power consumption, suitable for outdoor application, kiosk, factory automation, military, transportation and gaming application.

### Key Features

- High Brightness: 2500nits
- Sunlight Readable
- LED Backlight
- Low Power Consumption
- LCD Blacking Defect Free (H-Tni 110°C)
- Slim Bezel
- BL MTBF: 100,000 hours



### Specifications

<b>Model Name</b>	<b>DLD5500-L V2</b>
<b>Description</b>	55" TFT LCD, LED Backlight 2500 nits, FHD (1920x1080)
<b>Screen Size</b>	55"
<b>Display Area (mm)</b>	1209.6(H) x 680.4(V)
<b>Brightness</b>	2500 cd/m <sup>2</sup>
<b>Resolution</b>	1920 x 1080
<b>Aspect Ratio</b>	16 : 9
<b>Contrast Ratio</b>	1000 : 1
<b>Pixel Pitch (mm)</b>	0.63(H) x 0.63(V)
<b>Pixel Pre Inch (PPI)</b>	40
<b>Viewing Angle</b>	178°(H),178°(V)
<b>Color Saturation (NTSC)</b>	75%
<b>Display Colors</b>	16.7M
<b>Response Time (Typical)</b>	9ms
<b>Video Interface</b>	VGA,DVID,HDMI,DP,AV,S-VIDEO,YPbPr
<b>Input Power</b>	AC100~240V
<b>Power Consumption )</b>	166.8W
<b>Dimensions (mm)</b>	1242.6 x 713.6 x 74.3
<b>Bezel Size(U/B/L/R)</b>	15.3/15.3/15.3/15.3 mm
<b>Weight (Net)</b>	39.5kg
<b>Mounting</b>	VESA 400X300mm,400x200mm
<b>OSD Key</b>	4 Keys (Power Switch, Menu, +, -)
<b>OSD Control</b>	Brightness, Color, Contrast, Auto Turing, H/V Position...etc
<b>Operating Temperature</b>	0 °C ~ 50 °C
<b>Storage Temperature</b>	-20 °C ~ 60 °C
<b>Product Approval</b>	CE,FCC

**DLD= Panel+ LED Driving Board + AD Control Board+CASE**

*Specifications are subject to change without notice.*

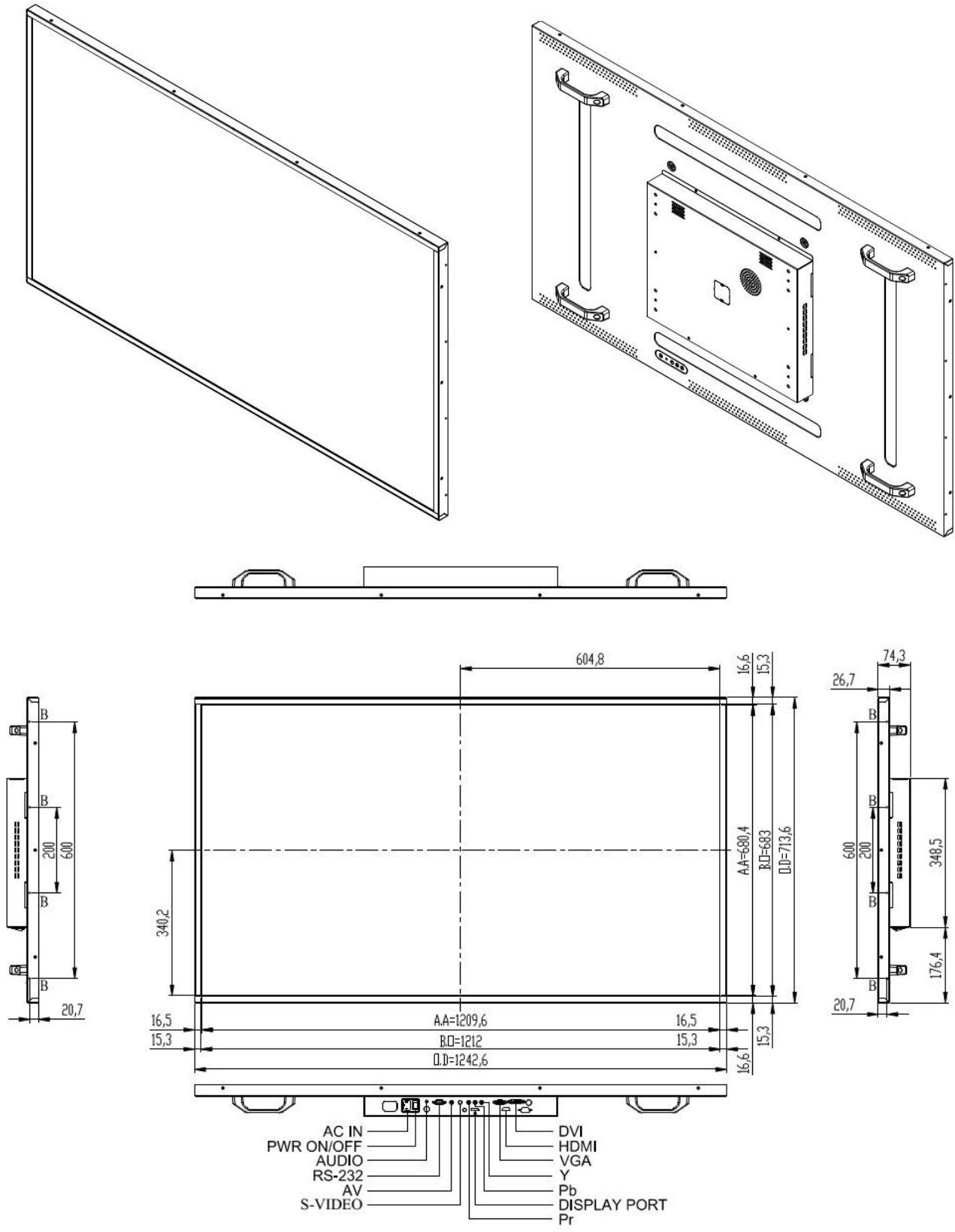
*All brands or product names are trademarks or registered trademarks of their respective companies.*

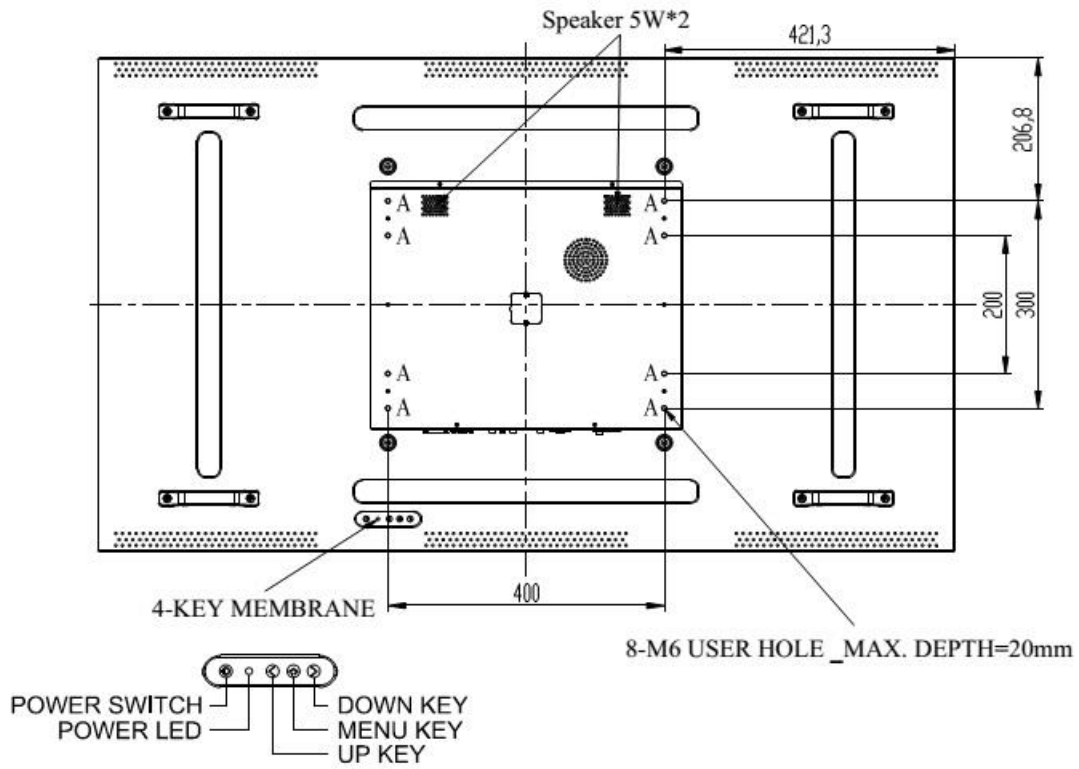


## Mechanical Drawing

### Outline Dimensions

Unit:mm





Note:

O.D : Outline Dimension

B.O : Bezel Opening

A.A : LCD Active Area

A:8-M6 USER HOLE \_MAX. DEPTH=20mm

B:8-M4 USER HOLE \_MAX. DEPTH=10mm



### Ordering Information

Part Number	Description
DLD5500-LNB-J11	55",2500nits,FHD,LID55A,AD5827GDHPVAR,O/B,Speaker 5Wx2,AC100~240V,1in1,V2

### Optional Accessories

Part Number	Description
810618301010	CABLE.POWER.AC.1830mm USA type
810618301090	CABLE,POWER,AC,1830mm Europe type
810618301050	CABLE.POWER.AC.1830mm UK type
810618301170	CABLE.POWER,AC,1830mm Australia type
810618301031	CABLE.POWER.AC.1830mm Japan type

### Customer request

Glass	Tempered glass, AR coating.....
Touch	IR, PCT touch